

FIREBLOOM

HOME OF EXCLUSIVE OUTDOOR HEATING & COOKING PRODUCTS





WELCOME TO FIREBLOOM

Outdoor living has never been more inspiring. Firebloom brings together over 70 years of fireplace expertise with premium craftsmanship, modern design, and exceptional performance to create a luxury collection built for warmth, flavour, and unforgettable moments outdoors.

What began with the iconic Fresco Outdoor Stove has evolved into a range of innovative heating and cooking products, each crafted with precision to enhance any setting, from spacious gardens to intimate patios. Designed to elevate every gathering, Firebloom blends functionality and style to transform your outdoor space into a true sanctuary, with the Fresco outdoor heater leading the way as the striking centrepiece of this captivating collection.



FIREBLOOM



WHY CHOOSE FIREBLOOM?

BUILT FOR THE OUTDOORS

Every Firebloom product is crafted from durable, weather resistant materials designed to withstand year round outdoor use when properly used and maintained.*

DESIGNED FOR PERFORMANCE

From heating to cooking, each appliance is engineered to deliver exceptional results with minimal effort.

A COHESIVE RANGE

The Fresco stove and new cooking appliances share a unified design language — creating a seamless, stylish outdoor environment.

PERFECT FOR HOME & HOSPITALITY

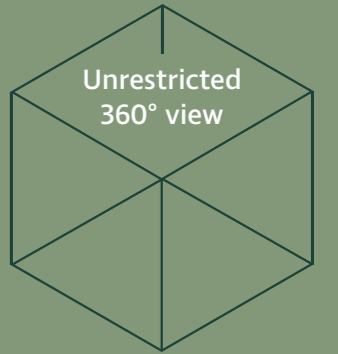
Created exclusively for home outdoor spaces, Firebloom offers dependable performance and a standout visual feature for your garden or patio.



FIREBLOOM THE FRESCO

THE FRESCO

OUTDOOR HEATER



The Fresco is engineered for those who want more from their outdoor space, more warmth, more atmosphere, and more time outside.

A true statement piece, it features four glass sides that offer an unrestricted 360° view of the captivating flames within, creating an incredible ambience for any garden, patio, or hospitality setting.

Designed with a commitment to aesthetic excellence, the Fresco balances striking visual appeal with robust functionality. Every detail has been carefully considered to ensure simplicity, durability, and long lasting performance, from its heavy gauge 4mm steel construction to its intuitive, user focused design.

FIREBLOOM

KEY FEATURES

Perfect for those who want an outdoor statement piece that delivers atmosphere, warmth, and timeless design.

The Fresco is engineered for those who want more from their outdoor space - more warmth, more atmosphere, and more time outside. A true statement piece, it features four glass sides that offer an unrestricted 360° view of captivating flames, creating a remarkable ambience for gardens, patios, and hospitality environments. Designed with a commitment to aesthetic excellence, the Fresco balances striking visual appeal with robust functionality. Its heavy gauge 4mm steel construction and user focused design ensure simplicity, durability, and lasting performance.

- 360° flame visibility through four large glass viewing panels
- High performance outdoor heating
- 4 sided air wash system to help maintain clear glass
- Durable, weather resistant 4mm steel construction
- 1.5m flue terminal channels smoke away from the user
- Clean, modern design that enhances any outdoor space
- Ideal for both home and commercial environments

Specification

- Fuel: Wood
- Warranty: 1 Year
- Body Weight (Net/Gross): 60kg / 84kg
- Pedestal Weight (Net/Gross): 13kg / 15kg

Dimensions:

- Height: 2525mm (with flue)
- Height: 1010mm (without flue)
- Width: 500mm
- Depth: 500mm
- Liners: Vermiculite brick liners and baffle

Product Code: 2450007



KEY FEATURES

For those who love the Fresco experience and want even greater control, easier maintenance, and enhanced combustion performance.

Building on the iconic Fresco design, the Fresco+ introduces a refined combustion system and smart convenience features for users who want maximum control and effortless maintenance. With adjustable air control to fine tune the burn rate, an integrated fire grate with debris collector for easy ash removal, and a built in drainage system, the Fresco+ adds thoughtful performance upgrades while preserving the signature 360° views and contemporary aesthetic the Fresco family is known for.

- 360° flame visibility through four large glass viewing panels
- High performance outdoor heating
- 4 sided air wash system to help maintain clear glass
- Durable, weather resistant 4mm steel construction
- 1.5m flue terminal channels smoke away from the user
- Clean, modern design that enhances any outdoor space
- Ideal for both home and commercial environments
- Advanced combustion system for more efficient, controlled burning
- Air control mechanism to regulate burn rate
- Fire grate and debris collector for clean, easy ash removal
- Integrated drainage system for low maintenance outdoor use
- Retains the Fresco's iconic 360° flame visibility and striking steel design

Specification

- Fuel: Wood
- Warranty: 1 Year
- Body Weight (Net/Gross): 60kg / 84kg
- Pedestal Weight (Net/Gross): 13kg / 15kg

Dimensions:

- Height: 2550mm (with flue)
- Height: 1035mm (without flue)
- Width: 500mm
- Depth: 500mm
- Liners: Vermiculite brick liners and baffle

Product Code: 2450013





INTRODUCING THE

FIREBLOOM COOKING COLLECTION

NEW TO
FIREBLOOM

A NEW WAY TO COOK OUTDOORS

Introducing the latest evolution of the Firebloom range, now expanding into outdoor cooking with a collection of beautifully designed, high performance appliances.

Built to complement the Fresco stove, each piece combines robust materials with exceptional functionality, making it ideal for outdoor entertaining, alfresco dining, and professional hospitality environments.

Whether you're grilling, roasting, baking, or slow cooking, the Firebloom cooking range brings versatility and style to every outdoor kitchen.



FIREBLOOM EP01 ELECTRIC PIZZA OVEN

Precision engineered performance for perfect pizza.

The Firebloom EP01 Electric Pizza Oven is designed for those who want authentic, stone baked results with the convenience of electric power. Perfect for pizzas up to 12", it features powerful dual upper and lower heating elements that deliver fast, even heat distribution, reaching temperatures of up to 400°C for exceptional cooking performance. Whether you're crafting classic Neapolitan style pizzas or experimenting with your own creations, the EP01 ensures consistent results in as little as 90–120 seconds.

Built with a commercial grade cold rolled carbon steel shell and a high temperature powder coated finish, this oven is made to perform and built to last. Its stainless-steel interior, removable stainless-steel door, and premium square pizza stone create a professional cooking environment, while the adjustable thermostat gives you full control over temperature. Designed with practicality in mind, the oven features die cast aluminium feet and retractable aluminium legs with skid proof rubber pads and a locking mechanism—folding neatly for easy storage when not in use.

FIREBLOOM EP01 ELECTRIC PIZZA OVEN

KEY FEATURES

- Powerful 1800W dual heating elements (upper and lower) for even heat distribution
- Heats up to 400°C for fast, authentic stone baked cooking
- Commercial grade cold rolled carbon steel shell with high temp powder coated finish
- Stainless steel interior and stainless-steel dual heating element burner
- Square pizza stone: 325 × 325 × 10mm
- Adjustable thermostat for precise temperature control
- Removable stainless-steel door
- Die cast aluminium feet and retractable aluminium legs with skid proof rubber pads and locking system
- Folds flat for compact, easy storage



Specification

- Fuel: Electric
- Power: 220–240V, 50–60Hz, 1800W
- Temperature Range: Up to 400°C
- Cooking Time: 90–120 seconds (stone baked pizza)
- Warranty: 1 Year
- Materials:
 - Shell & Base: Cold rolled carbon steel with high temperature powder coated finish
 - Interior & Burner: Stainless steel

Dimensions Pizza Oven:

- Length: 625mm
- Width: 410mm
- Height: 323mm
 - Depth: 175mm
 - Legs: 148mm

Product diagram: page 21

Dimensions Pizza Stone:

- Square Stone
- Length: 325mm
- Width: 325mm
- Depth: 10mm

Product Code: 2450100





FIREBLOOM GP01 GAS PIZZA OVEN

Authentic flame-fired cooking with precision control.

The Firebloom Gas Pizza Oven brings the theatre of real flame cooking together with the convenience of adjustable temperature control. Perfect for pizzas up to 12", it's powered by a high performance gas burner and engineered for fast, even heat distribution, reaching temperatures of up to 400°C and delivering beautifully crisp, stone baked results in as little as 90–120 seconds. Whether you're cooking for family, friends, or guests, the Firebloom GP01 offers consistent, professional grade performance every time.

Crafted with a commercial-grade cold-rolled carbon steel shell and a high-temperature powder-coated finish, this oven is built for durability and long-term outdoor use. Its stainless-steel interior, removable stainless-steel door, and premium square pizza stone create an ideal cooking environment, while the adjustable thermostat gives you full control over heat levels. Designed for practicality, the oven features die-cast aluminium feet and retractable aluminium legs with skid-proof rubber pads and a locking mechanism, folding neatly for compact storage when not in use.

FIREBLOOM GP01 GAS PIZZA OVEN

KEY FEATURES

- High-performance gas burner for fast, even heating
- Adjustable temperature controlled by thermostat
- Heats up to 400°C for authentic stone-baked cooking
- Commercial-grade cold-rolled carbon steel shell with high-temp powder-coated finish
- Stainless steel interior and stainless-steel burner
- Square pizza stone: 325 × 325 × 10mm
- Removable stainless-steel door
- Die-cast aluminium feet and retractable aluminium legs with skid-proof rubber pads and locking system
- Folds flat for easy, compact storage



Specification

- Fuel: Gas
- Temperature Range: Up to 400°C
- Cooking Time: 90–120 seconds (stone-baked pizza)
- Warranty: 1 Year
- Materials:
 - Shell & Base: Cold-rolled carbon steel with high-temperature powder-coated finish
 - Interior & Burner: Stainless steel

Dimensions Pizza Oven:

- Length: 643mm
- Width: 451mm
- Height: 317mm
 - Depth: 163mm
 - Legs: 154mm

Product diagram: page 21

Dimensions Pizza Stone:

- Square Stone
- Length: 325mm
- Width: 325mm
- Depth: 10mm

Product Code: 2450400





FIREBLOOM EP02 FREESTANDING ELECTRIC PIZZA OVEN

High-performance cooking with total freedom.

The Firebloom EP02 Freestanding Electric Pizza Oven is designed for those who want authentic stone-baked results without the need for a table or built-in setup. Its fully freestanding, portable design makes outdoor cooking effortless, simply position, plug in, and enjoy professional-grade performance wherever you choose to cook. Powered by a robust 4.0kW system and dual upper and lower heating elements, the oven delivers fast, even heat distribution, reaching temperatures of up to 400°C for exceptional results. Perfect for pizzas up to 12", it brings versatility and convenience to any outdoor setting.

Engineered for precision, the oven allows independent control of both the chamber temperature and the pizza stone temperature, giving you complete flexibility to perfect every style of pizza. A removable stainless-steel door with a ceramic viewing window and an illuminated oven chamber lets you monitor your cook with ease, while the removable stone ensures simple cleaning and maintenance. Finished with aluminium legs featuring a realistic oak print, the oven blends practicality with contemporary style. An optional rain and dust cover is also available for added protection.

FIREBLOOM EP02 FREESTANDING ELECTRIC PIZZA OVEN

KEY FEATURES

- Freestanding, portable design, no table required
- Powerful 2.0kW dual heating elements (upper and lower)
- Independently controlled chamber and stone temperatures
- Heats up to 400°C for fast, authentic stone-baked cooking
- Removable stainless-steel door with ceramic viewing window
- Illuminated oven chamber for clear visibility while cooking
- Removable pizza stone for easy cleaning
- Aluminium legs with realistic oak print
- Optional rain/dust cover available
- Square pizza stone: 325 × 325 × 10mm

Specification

- Fuel: Electric
- Power: 2.0kW
- Temperature Range: Up to 400°C
- Cooking Time: 90–120 seconds (stone baked pizza)
- Warranty: 1 Year
- Materials:
 - Door: Stainless steel with ceramic viewing window
 - Legs: Aluminium with oak-effect finish

Dimensions Pizza Oven:

- Length: 653mm
- Width: 580mm
- Height: 1300mm

Product diagram: page 21

Dimensions Pizza Stone:

- Square Stone
- Length: 325mm
- Width: 325mm
- Depth: 10mm

Product Code: 2450200





FIREBLOOM EP03 ELECTRIC PIZZA OVEN

KEY FEATURES

- Compact tabletop design for flexible outdoor cooking
- Suitable for pizzas up to 12"
- Powerful 2.0kW dual heating elements (upper and lower)
- Independently controlled chamber and stone temperatures for precision cooking
- Heats up to 400°C for fast, authentic stone baked results
- Removable stainless-steel door with ceramic viewing window
- Illuminated oven chamber for clear visibility while cooking
- Removable pizza stone for easy cleaning and maintenance
- Aluminium legs with realistic oak effect finish
- Optional rain/dust cover available
- Premium square pizza stone: 325 × 325 × 10mm

FIREBLOOM EP03 ELECTRIC PIZZA OVEN

Authentic stone baked performance in a compact tabletop design.

The Firebloom EP03 Electric Pizza Oven is designed for those who want authentic stone baked results in a convenient tabletop format. Perfect for outdoor kitchens, patios, and compact cooking spaces, its portable design makes outdoor cooking effortless, simply position, plug in, and enjoy professional grade performance wherever you choose to cook. Powered by a robust 4.0kW system and dual upper and lower heating elements, the oven delivers fast, even heat distribution, reaching temperatures of up to 400°C for exceptional results. Perfect for pizzas up to 12", it brings versatility and convenience to any outdoor setting.

Engineered for precision, the EP03 allows independent control of both the chamber temperature and the pizza stone temperature, giving you complete flexibility to perfect every style of pizza. A removable stainless steel door with a ceramic viewing window and an illuminated oven chamber lets you monitor your cook with ease, while the removable stone ensures simple cleaning and maintenance. Finished with aluminium legs featuring a realistic oak print, the oven blends practicality with contemporary style. An optional rain and dust cover is also available for added protection.

Specification

- Fuel: Electric
- Power: 2.0kW
- Temperature Range: Up to 400°C
- Cooking Time: 90–120 seconds (stone baked pizza)
- Warranty: 1 Year
- Materials:
 - Door: Stainless steel with ceramic viewing window
 - Legs: Aluminium with oak-effect finish

Dimensions Pizza Oven:

- Length: 500mm
- Width: 580mm
- Height: 400mm

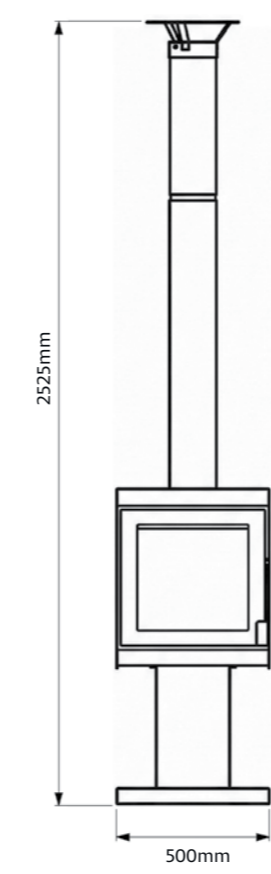
Product diagram: page 21

Dimensions Pizza Stone:

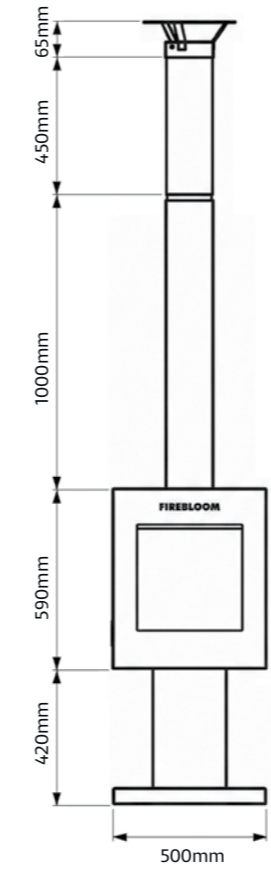
- Square Stone
- Length: 325mm
- Width: 325mm
- Depth: 10mm

Product Code: 2450300

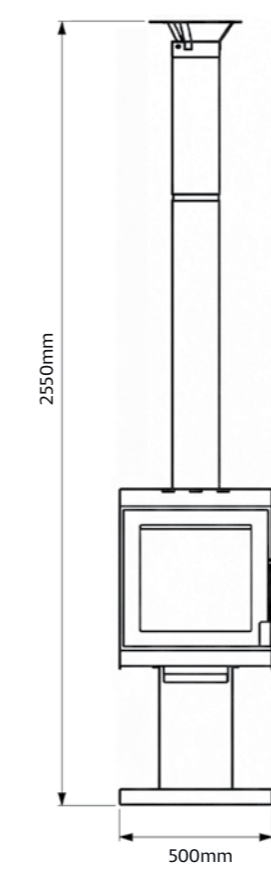




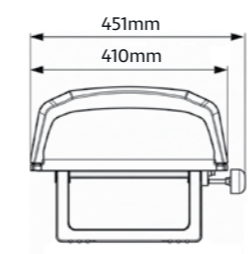
THE FRESCO
OUTDOOR HEATER
Product Code: 2450100



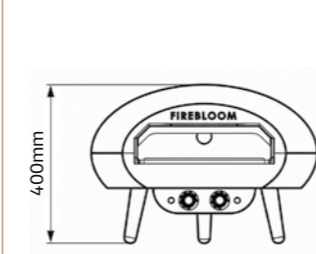
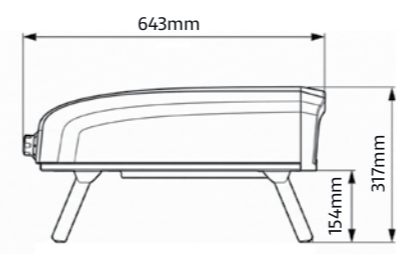
THE FRESCO PLUS
OUTDOOR HEATER
Product Code: 2450013



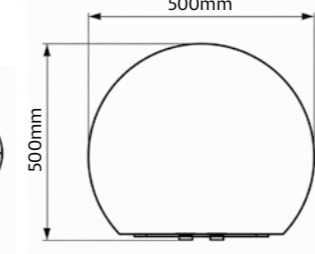
THE FRESCO PLUS
OUTDOOR HEATER
Product Code: 2450013



GP01 GAS
PIZZA OVEN
Product Code: 2450400

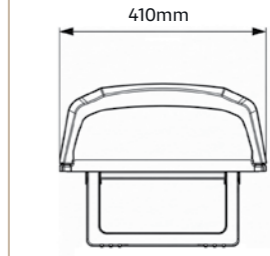


EP03 ELECTRIC
PIZZA OVEN
Product Code: 2450300

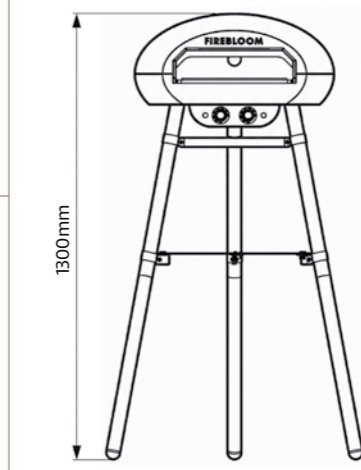
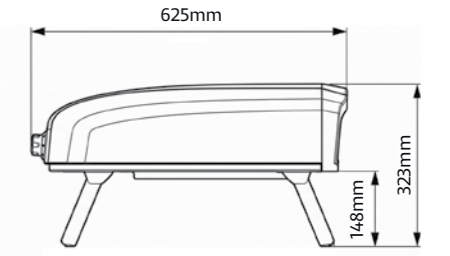


TECHNICAL INFORMATION

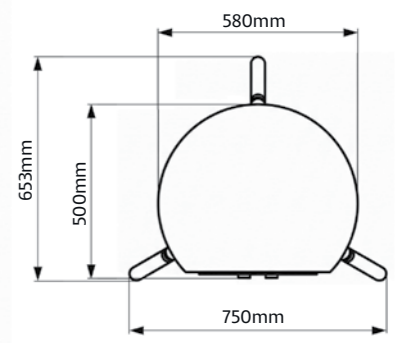
Please refer to full details in the USER ASSEMBLY AND INSTRUCTION GUIDE associated with these products. Can be downloaded at www.firebloomoutdoor.co.uk/resources



EP01 ELECTRIC
PIZZA OVEN
Product Code: 2450100



EP02 FREESTANDING
ELECTRIC PIZZA OVEN
Product Code: 2450200





YOUR FIREBLOOM OUTDOOR WARRANTY

Outdoor living has never been more inspiring. Firebloom brings together over 70 years of fireplace expertise with premium craftsmanship, modern design, and exceptional performance to create a luxury collection built for warmth, flavour, and unforgettable moments outdoors.

All Firebloom products include a Limited 1-year manufacturer's warranty, offering reassurance in the unlikely event of a manufacturing defect or performance issue. This warranty applies exclusively to products purchased directly from Firebloom or through one of our approved stockists and requires proof of purchase.

For full terms, conditions, and warranty details, please visit our website www.firebloom.com

PRICE LIST

FIREBLOOM THE FRESCO

Product Code: 2450007

SSP: £1299 inc VAT

FIREBLOOM THE FRESCO PLUS

Product Code: 2450013

SSP: £1399 inc VAT

FIREBLOOM EP01 ELECTRIC PIZZA OVEN

Product Code: 2450100

SSP: £199.00 inc VAT

FIREBLOOM GP01 GAS PIZZA OVEN

Product Code: 2450400

SSP: £199.00 inc VAT

FIREBLOOM EP02 FREESTANDING ELECTRIC PIZZA OVEN

Product Code: 2450200

SSP: £349.00 inc VAT

FIREBLOOM EP03 ELECTRIC PIZZA OVEN

Product Code: 2450300

SSP: £299.00 inc VAT



FIREBLOOM

www.firebloomoutdoor.co.uk